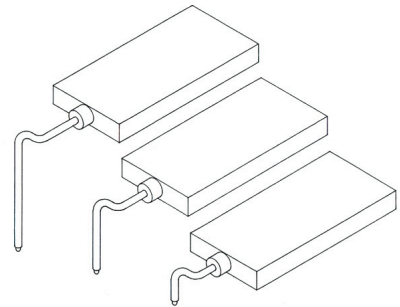


# WESTRONICS

## 1100 SERIES DISPOSABLE FIBRE TIPPED PENS

PRODUCT GROUP: MX14

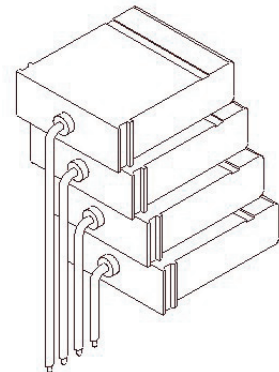
OEM PART #	ORDER REF	COLOUR	QTY/ PKG.
RM100-140-01	1011054	RED	3
RM100-141-01	1011055	GREEN	3
RM100-142-01	1011056	BLUE	3



## MODEL 1600 DISPOSABLE FIBRE TIPPED PENS

PRODUCT GROUP: MX22

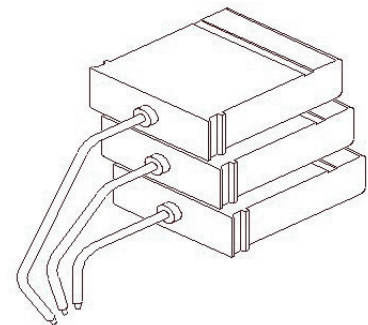
OEM PART #	ORDER REF	COLOUR	QTY/ PKG.
RM100470	1011532	RED	3
RM100471	1011533	GREEN	3
RM100472	1011534	BLUE	3
RM100473	1011535	VIOLET	3



## MODEL 1200 DISPOSABLE FIBRE TIPPED PENS

PRODUCT GROUP: MX23

OEM PART #	ORDER REF	COLOUR	QTY/ PKG.
RM100504	1011520	RED	3
RM100505	1011521	GREEN	3
RM100506	1011522	BLUE	3



FOR OTHER RECORDER MODELS OR NON-STANDARD CHARTS PLEASE ENQUIRE

Copyright (C) 2008 - Graphic Controls Ltd. St. Peter's Quay, Totnes, Devon, UK, TQ9 5XH